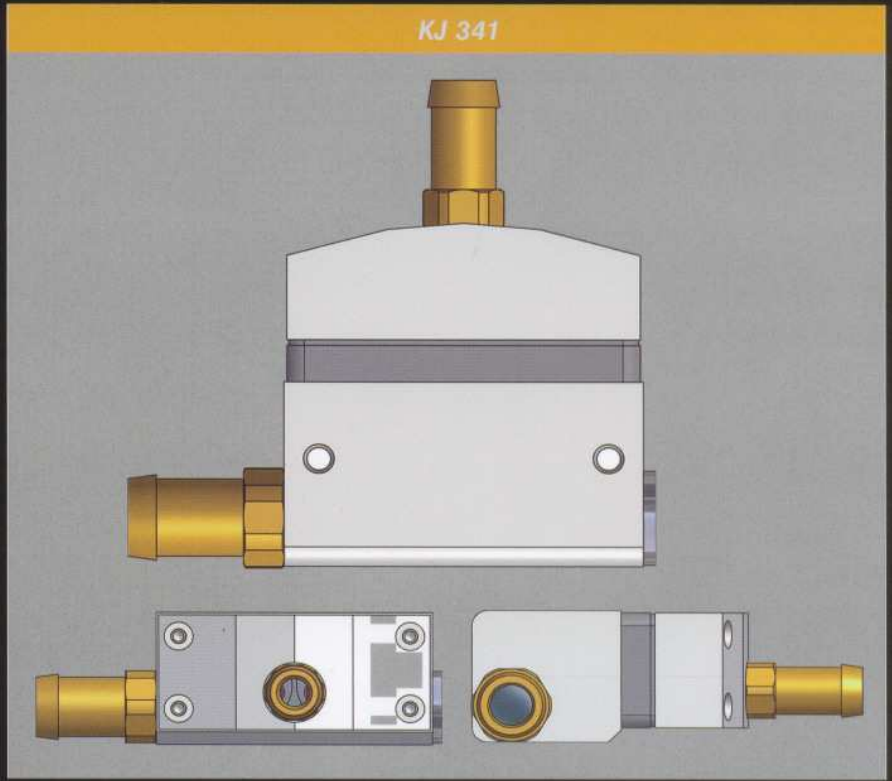


KJ

The evolution of heavy duty conversion systems (truck, bus, train and generators) is proceeding in the same direction the automotive engines one is: electronic control management is always more required.

MATRIX produces the appropriate injector capable of supporting this evolution: injectors with the capacity of precisely supplying the right amount of fuel, for both single or sequential solutions, turning out to be advantageous concerning emissions and consumption.

Thanks to the modular versatility of **MATRIX's** products, the KJ injector is capable of satisfying both Diesel-CNG and Diesel-LPG as well as mono-fuel applications.



MATRIX
mechatronics

KJ THE HEAVY DUTY APPLICATION INJECTOR

MATRIX S.p.A.
Corso Vercelli n. 330, 10015 Ivrea (TO) Italy
Tel: +39 0125 615442 - Fax: +39 0125 615377
mail: matrix@matrix.to.it - <http://www.matrix.to.it>

